

WASP
A I R C R A F T



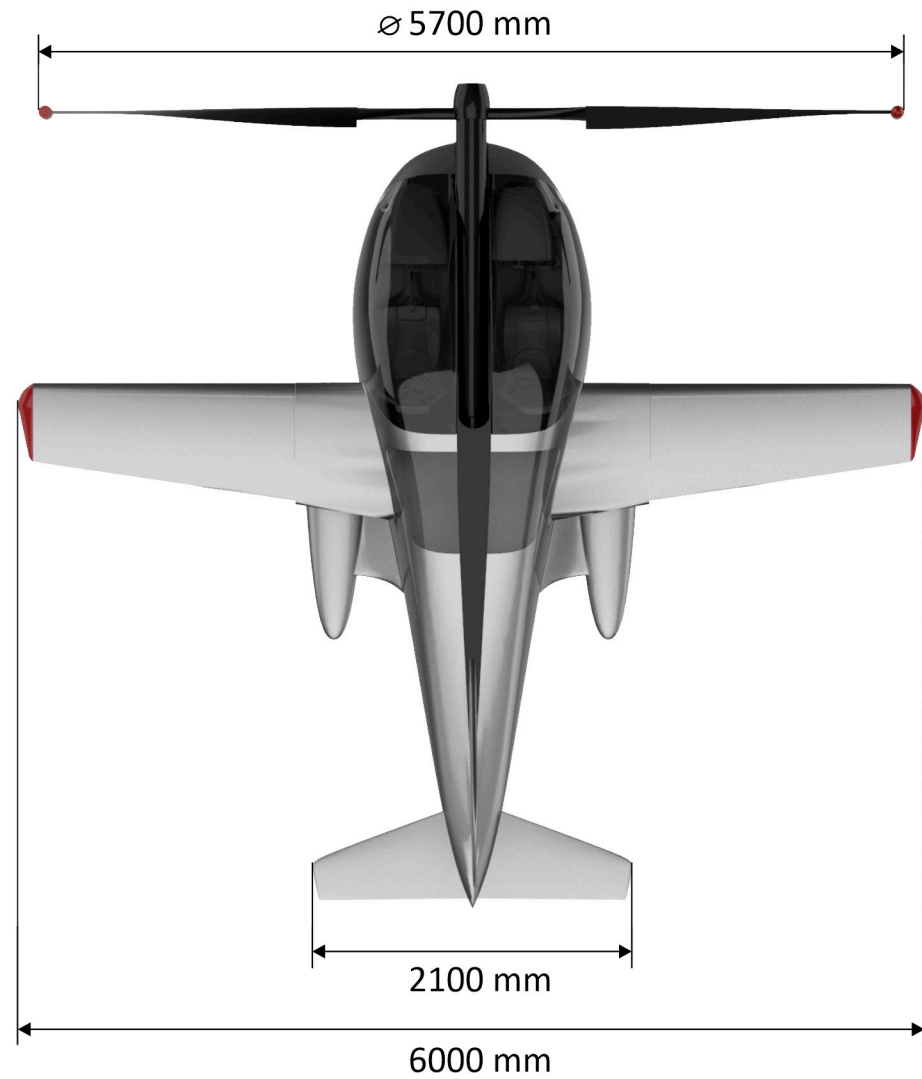
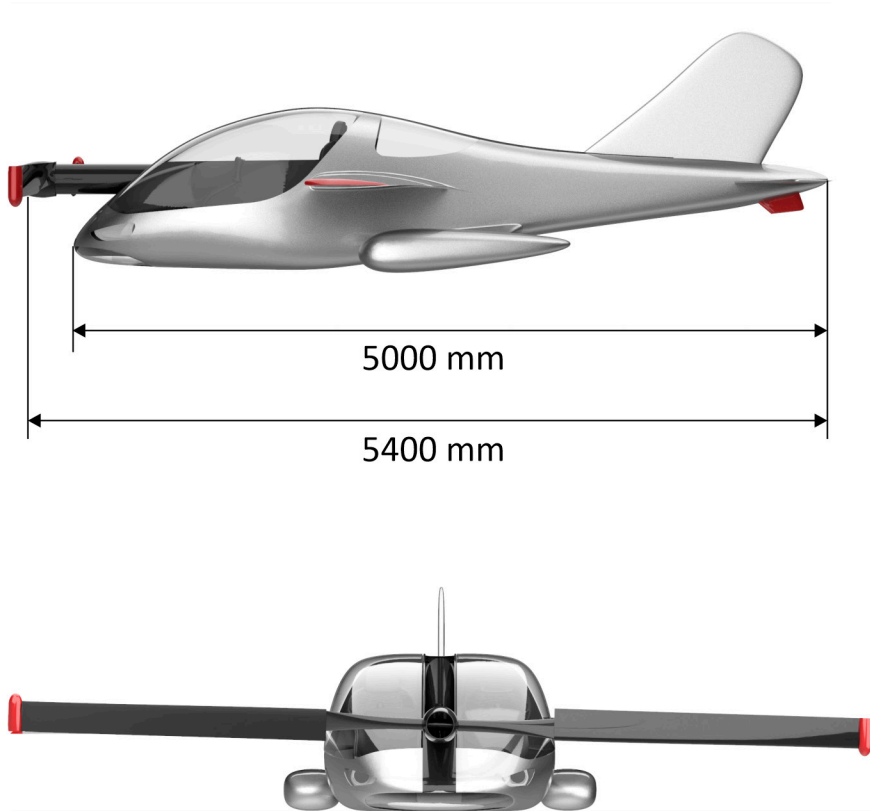


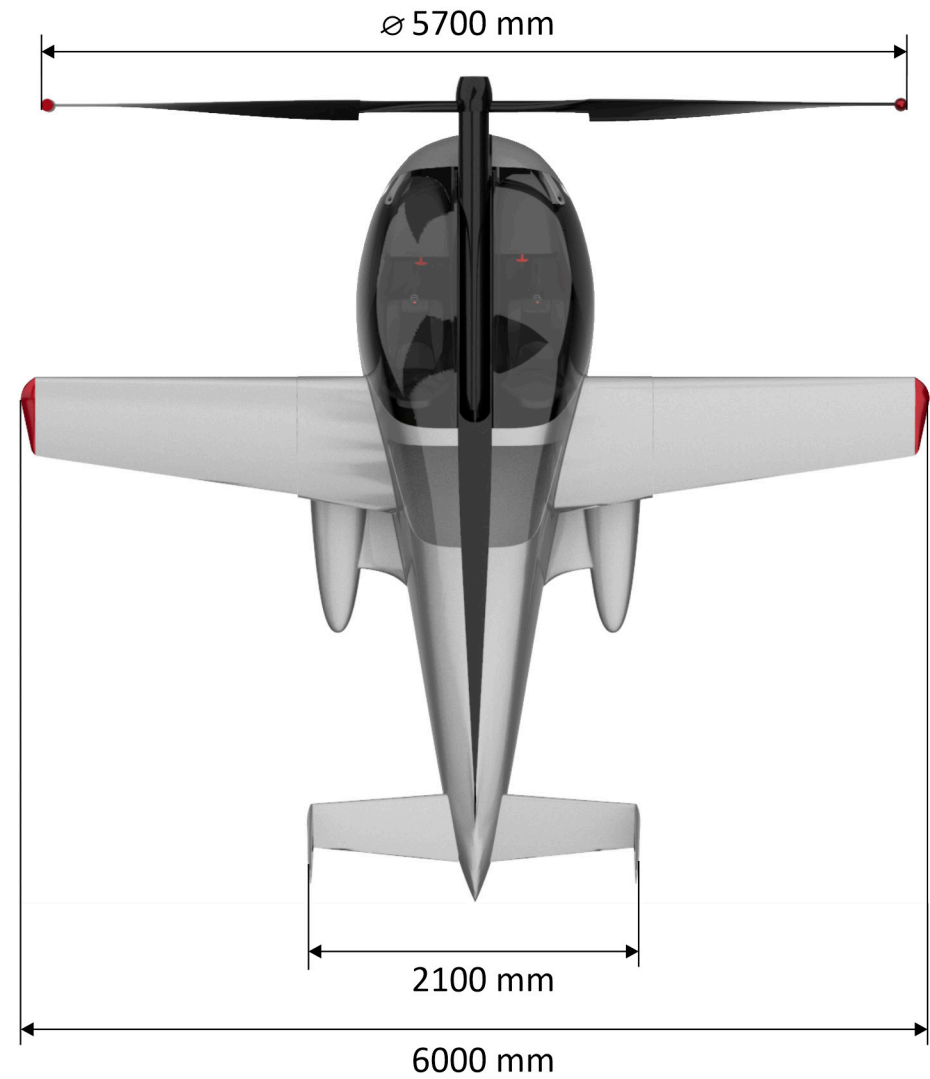
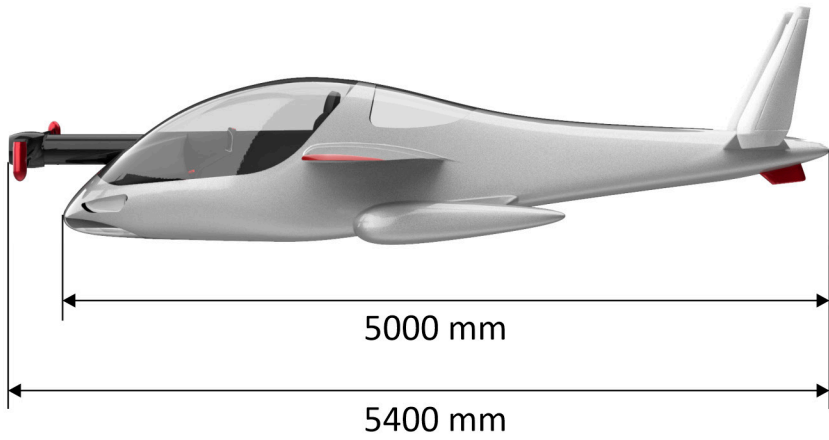
1620 ^{nm}
RANGE OF FLIGHT

>270 ^{KTS}
SPEED

662 ^{lbs.}
PAYLOAD

2+0 ^{PAX}
CAPACITY





FAST, ECONOMIC, ECO FRIENDLY

WORLD'S FIRST TILTROTOR AIRCRAFT WITH JET ROTOR DRIVE COMBINING BENEFITS OF AIRCRAFT AND HELICOPTER

INNOVATIVE TECHNOLOGY AND DESIGN SOLUTIONS PROVIDE IMPRESSIVE FEATURES

- SIMPLE DESIGN AND OPERATION
- JET ROTOR DRIVE
- LIQUEFIED NATURAL GAS ENGINE OPERATION
- HIGH FLIGHT SPEED
- HIGH SPEED CLIMB
- TAKEOFF AND LANDING ON ANY UNPREPARED AREA 9,84 X 16,4 ft.
- FOUR AUTOMATIC OPTIONS FOR EMERGENCY LANDING PROTECTION
- LOW LEVEL OF VIBRATION AND NOISE
- PILOT ONLINE INSTRUCTION SUPPORT ON ALL STAGES OF FLIGHT INCLUDING TAKEOFF AND LANDING



MAIN APPLICATIONS OF PILOT AND UNMANNED TILTROTOR AIRCRAFTS

THE TILTROTOR AIRCRAFT IS DESIGNED TO SIGNIFICANTLY REDUCE THE COST OF AIR TRANSPORTATION OF PEOPLE AND GOODS, IMPROVING ITS SAFETY AND COMFORT. AFFORDABILITY AND OPTIMAL COST OF OWNERSHIP OF THE TILTROTOR AIRCRAFT ALLOWS IT TO BECOME A UNIVERSAL AND INDISPENSABLE VEHICLE IN MANY APPLICATIONS.

THE TILTROTOR AIRCRAFT IN AGRICULTURE

- MAKING OF DIGITAL MAP OF FIELDS
- MULTISPECTRAL SCANNING OF FIELDS (CHECKING OF GERMINATION AND LEVEL OF WED GROWTH)
- ADDITIONAL SOWING OF AGRICULTURAL CROPS FROM THE AIR
- SELECTIVE APPLICATION OF PLANT PROTECTION PRODUCTS
- SELECTIVE APPLICATION OF FERTILIZER
- LAUNCHING FRY AND FEEDING FISH IN PONDS
- CHEMICAL TREATMENT OF FORESTS AGAINST PESTS
- CHEMICAL TREATMENT OF HOGWEED





TILTROTOR AIRCRAFT IN LOGISTICS

- COURIER SERVICES
- COLLECTION SERVICES
- MAIL AND PARCEL DELIVERY
- TRANSPORTATION OF INDUSTRIAL GOODS
- FOOD DELIVERY TO REMOTE SPARSELY POPULATED AREAS



TILTROTOR AIRCRAFT AS AIR TAXI

MANNED AND UNMANNED AIR TAXIS BECOME A PART
OF OUR DAILY LIVES IN THE NEAR FUTURE



**TILTROTOR AIRACRAFT IN THE MONITORING SYSTEM
OF INDUSTRIAL FACILITIES AND CONSTRUCTION**

- DIAGNOSTIC SCANNING OF OBJECTS, IN PARTICULAR PIPELINES,
POWER TRANSMISSION LINES, HIGHWAYS
- CONSTRUCTION CONTROL



TILTROTOR AIRCRAFT FOR THE MINISTRY OF EMERGENCIES

- IDENTIFICATION OF FIRES
- DELIVERY OF SPECIAL EQUIPMENT, FOOD AND MEDICINES OF THE SCENE OF EMERGENCY
- SEARCH AND RESCUE PEOPLE IN HARD-TO-REACH AREAS
- MONITORING OF AIR CONDITIONS IN CONDITIONS OF SMOKE, RADIATION AND GAS CONTAMINATION, SPRAYING OF HARMFUL AND TOXIC SUBSTANCES, WHERE THE USE OF MANNED VEHICLES IS LIFE-THREATENING TO A PILOT



TILTROTOR AIRCRAFT IN SECURITY

- THE USE OF POLICE AND FIREFIGHTERS IN LARGE CITIES
- THE AIR PATROL OF PROTECTED OBJECTS
- IDENTIFICATION OF ILLEGAL FOREST LOGGING
- IDENTIFICATION OF TRAFFIC VIOLATIONS
- FIGHT AGAINST DRONES-VIOLATORS
- ANTI-POACHING